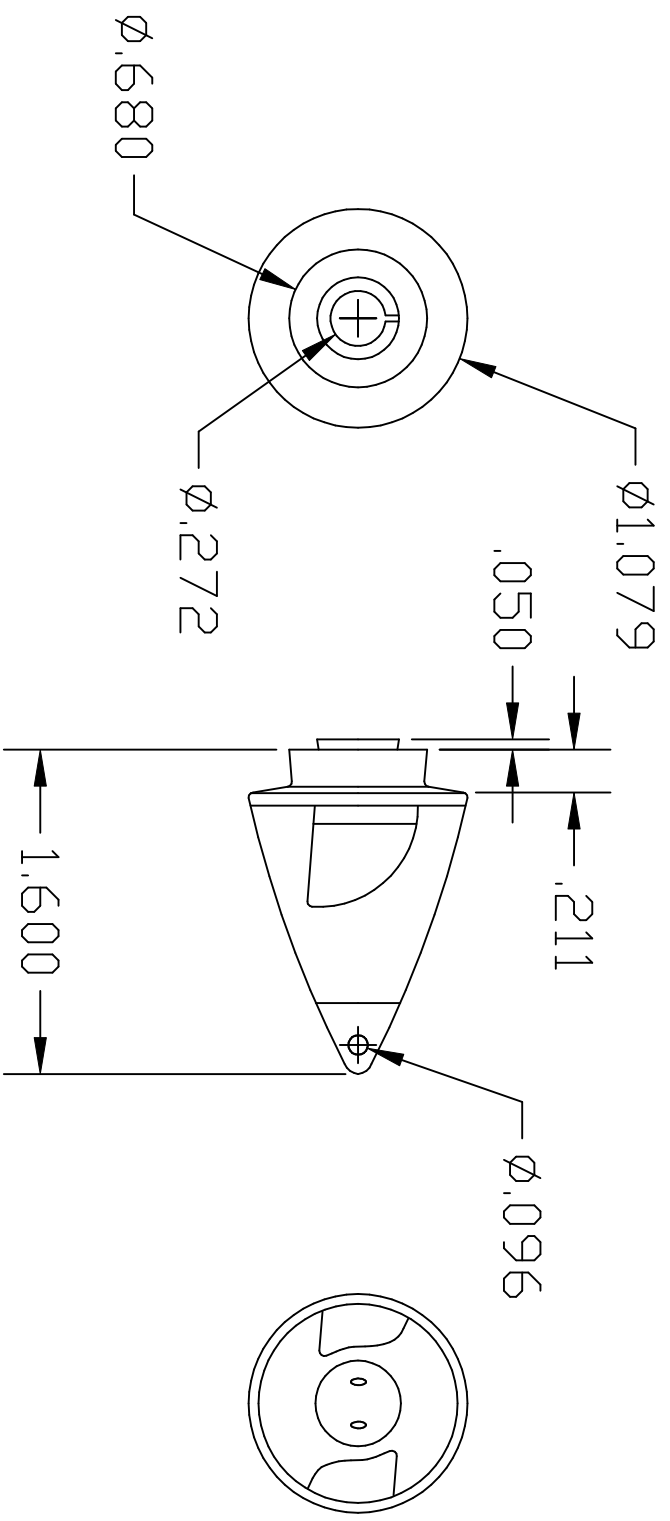


REV	DESCRIPTION	DATE	APPV'D



NOTES:
 FACE PLATE KNURLED FOR PROP
 ATTACHMENT NUT THREAD 10x32
 0.272 ϕ COLLET TO ATTACH TO CRANKSHAFT

K&B Manufacturing
 A product of MECOA - Model Engine Company of America

COX K&B R.J.L .15
Spinner Assembly

SCALE	DWG NO.	REV
1 : 1	68-0501	

DRAWN BY: R.J.L 12-11-2009

SHEET