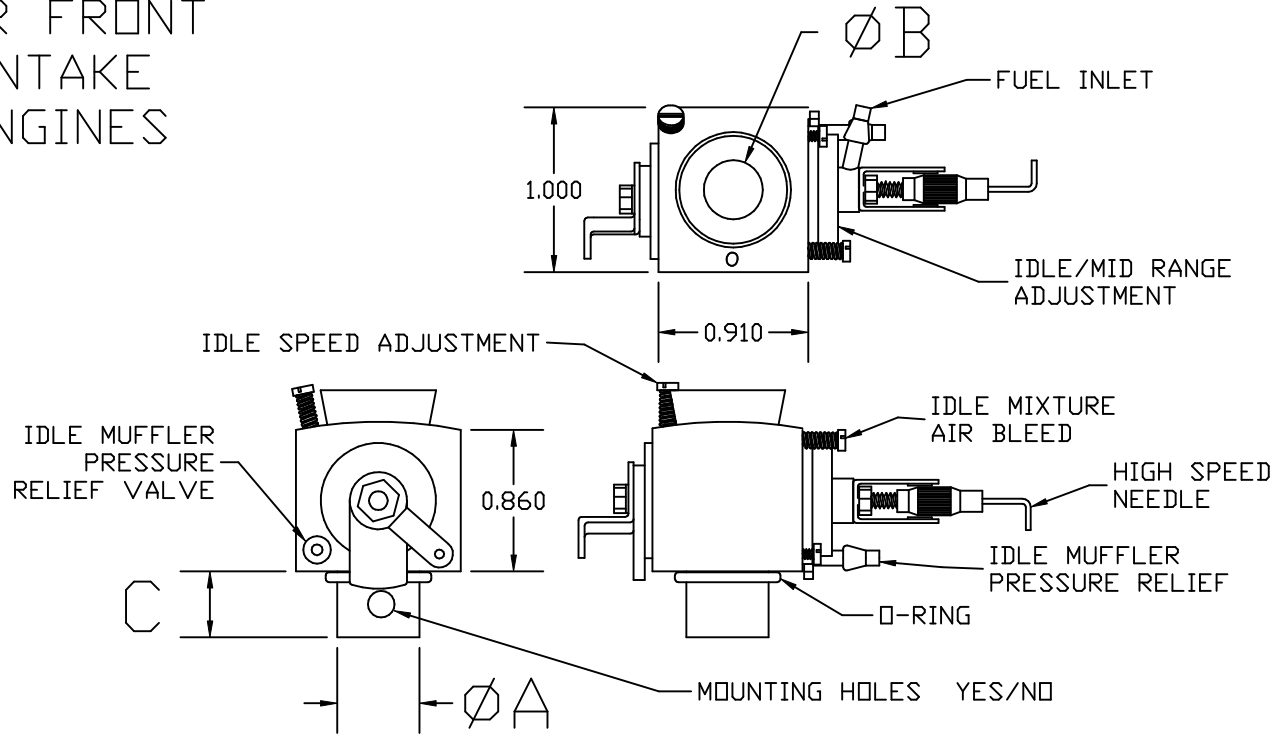


REV	CHANGE	DATE	APPROVED

LARGE BODY  
KAVAN CARB  
FOR FRONT  
INTAKE  
ENGINES



$\varnothing A$  = CARB NECK  
 $\varnothing B$  = CARB THROAT  
 $C$  = NECK LENGTH

<b>Model Engine Company Of America</b>	
KAVAN LARGE FRONT INTAKE CARBURETOR	
	Aug. 14, 2006