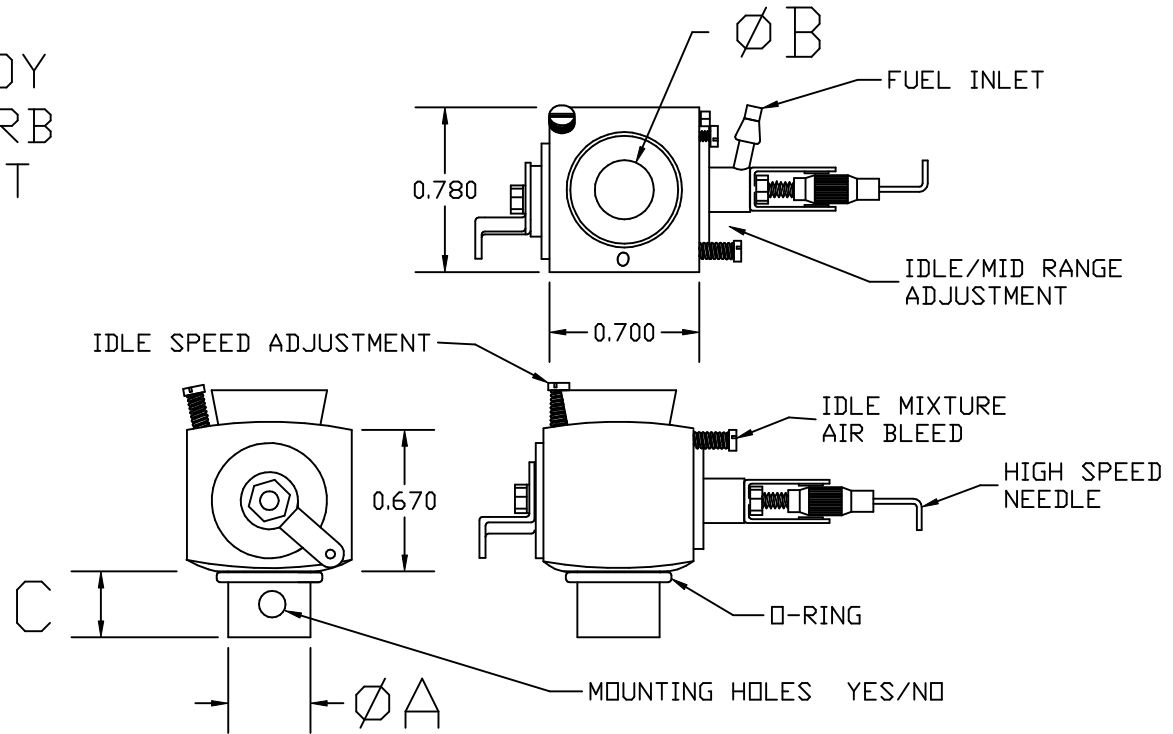


REV	CHANGE	DATE	APPROVED

SMALL BODY
KAVAN CARB
FOR FRONT
INTAKE
ENGINES



$\varnothing A$ = CARB NECK
 $\varnothing B$ = CARB THROAT
 C = NECK LENGTH

Model Engine Company Of America	
KAVAN SMALL FRONT INTAKE CARBURETOR	
	Aug. 14, 2006